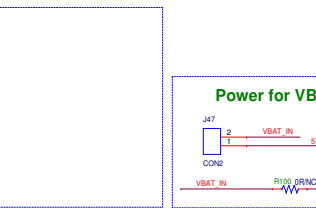
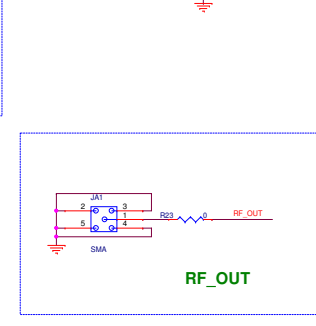
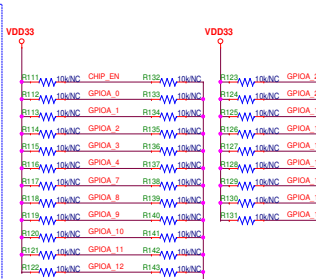
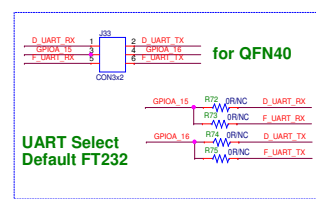
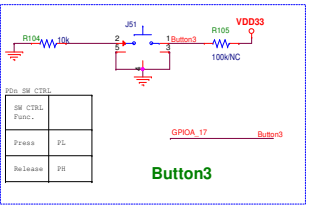
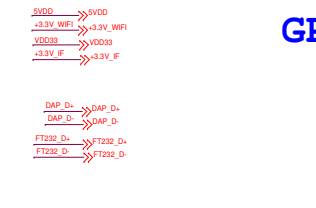
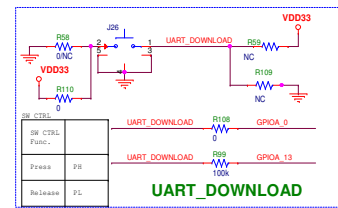
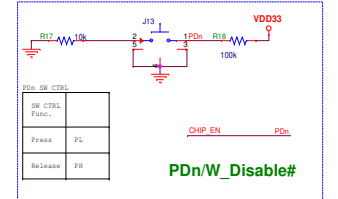
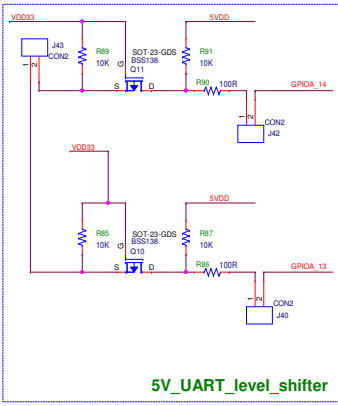
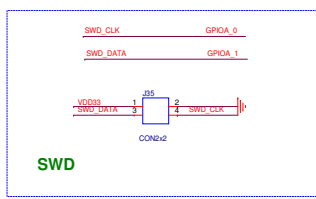
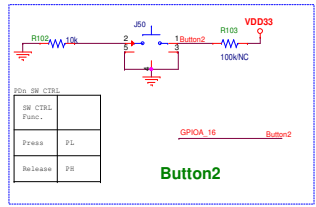
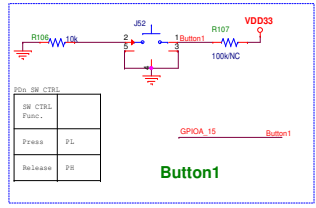
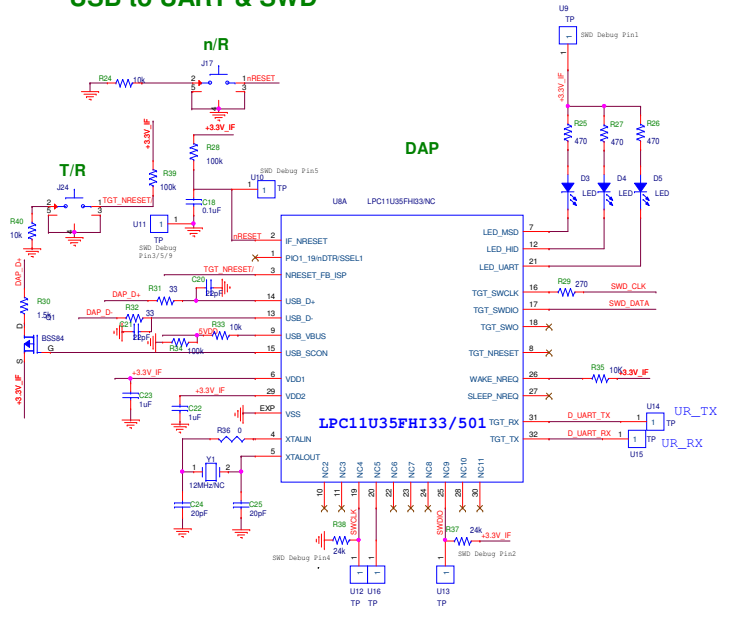


Title		
AmebaZII_DEV		
Size	Document Number	Rev
B	DC Power	1.0
Date:	Sheet	1 of 2

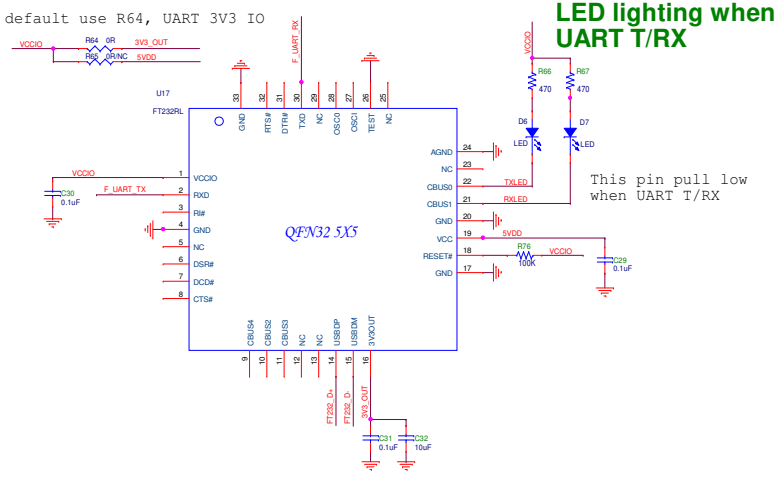
GPIO GROUP & Function-Mux

Complete Pin-Mux Table pls Check Datasheet of Relative Chip

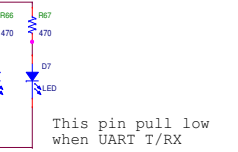
DAP QFN32 5X5 USB to UART & SWD



FT232RQ QFN32 5X5 USB to UART



LED lighting when UART T/RX



This pin pull low when UART T/RX

